

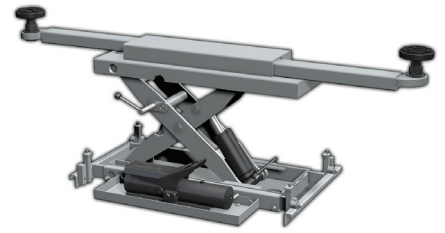
AUTOMASTER AM-6745L

Four Post Hoist

- A low minimum height of 130mm & 970mm long drive on ramps means the lift can handle low riding cars as well as light commercial vehicles
- Pneumatic locking system
- Double lock safety system is automatically activated as the lift is raised & includes a cable breakage emergency locking system should there be a failure.
- Wide and long to accommodate large vehicles
- Total length 5920mm
- Optional jacking beams
- European CE Safety Certified



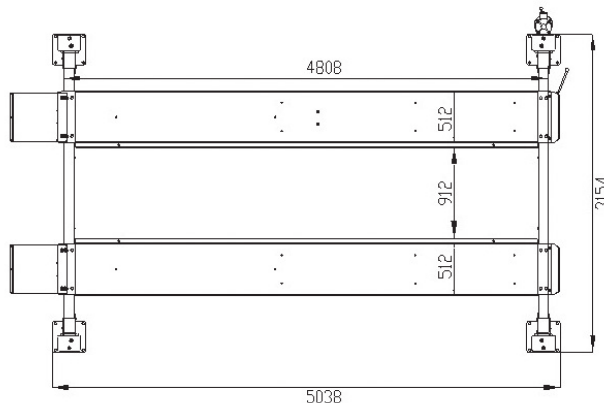
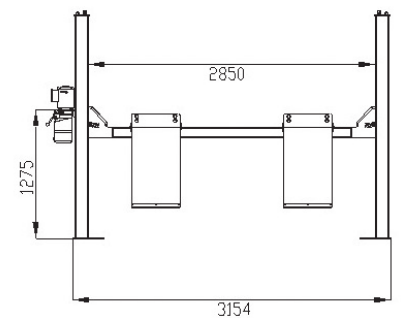
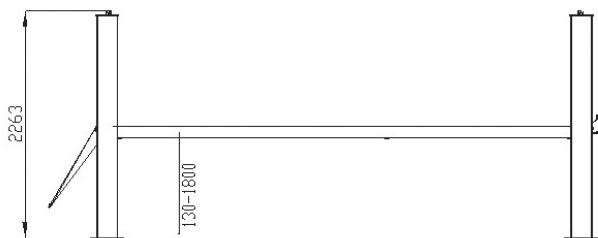
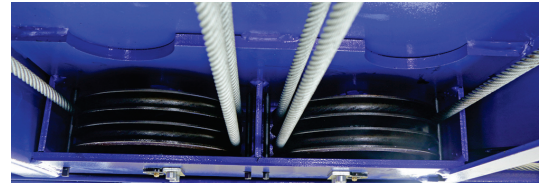
SCAN ME



OPTIONAL ROLLING JACKING BEAMS

SPECIFICATIONS	
Capacity	4200kg
Lift height	1800mm
Min height	130mm
Lifting time (approx)	50sec
Weight	1500
Power supply	230V or 380v/3ph
Warranty	2 Year

The adjustable locking ladders in each post enable simple levelling of the lift and ensure all 4 corners of the lift are locked.



THE CONCRETE MUST:

- Have a minimum thickness of 150mm
- Be reinforced
- Be a grade of no less than 25MPA