



**AUTOMASTER**  
THE AUTO EQUIPMENT SPECIALISTS

# Peak Parking lifts

**PEAK**®



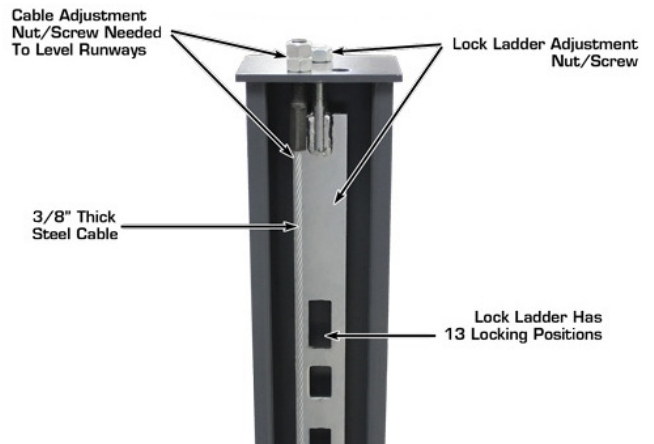
# Peak Parking lifts



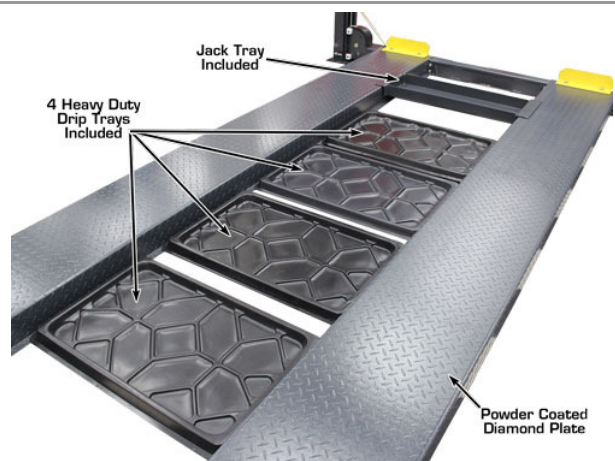
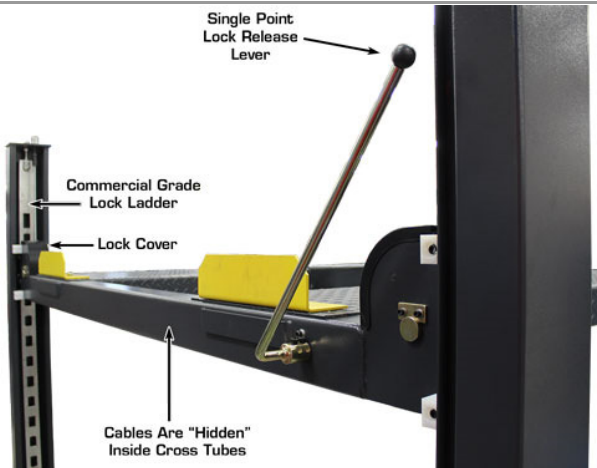
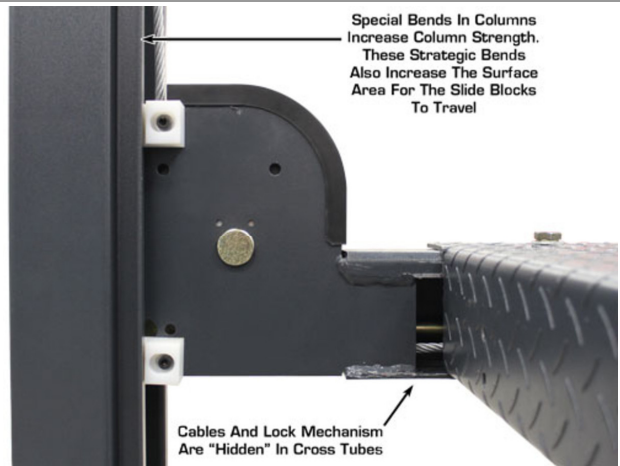
**OUR VICE-GRIP GUARANTEE**  
If you're not happy, we replace or refund in full.



Foldable drive-on ramps.  
(each lift 2 units).



Quality alloy body electric motor with manual down valve.

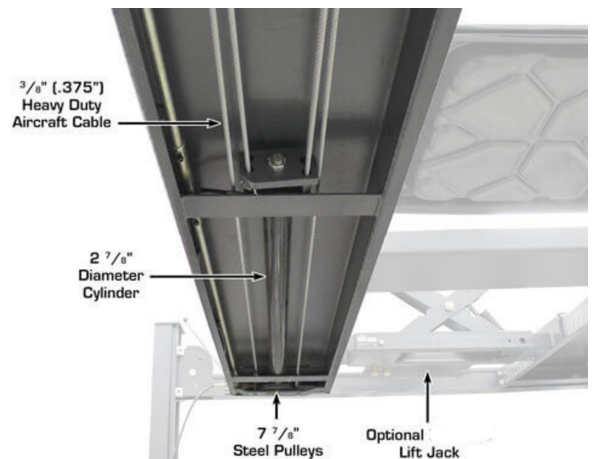


**Optional jacking beams**

P-J5H jack for P-407 & 408 models



P-J6A for 409HP models





# Peak Parking lifts



**OUR VICE-GRIP GUARANTEE**  
If you're not happy, we replace or refund in full.

## FEATURES

- Peak Car Stacker Parking lifts are a true space-saver.
- About the size of a typical parking space, this lift doubles nicely as a residential / commercial parking lift.
- Adjustable locking ladders for perfect levelling
- Power Unit & lock release can be positioned on any corner
- Double-"S" shape columns to increase the columns strength
- PEAK exclusive hidden safety locks and manual single-point lock release
- Auto activated Double Lock Safety System incl cable break lock
- All cables hidden in Columns & Cross Tubes
- Folding Ramps can be easily removed
- Only 100mm concrete thickness required (minimum)
- Steel Jack Tray Included
- Four Plastic Drip Trays Included
- Oil and floor mounting bolts included.
- Optional jacking beam
- Optional Caster kit
- European CE Safety Certified
- Full 2 year warranty

<b>Model 407-P</b>	<b>4-Post Parking Lift</b>
<b>Lifting Capacity</b>	<b>3000kg</b>
<b>Lifting Time</b>	<b>68s(110V)/31s(220V)</b>
<b>Overall Length (Inc Ramps)</b>	<b>A 4720mm (185 7/8")</b>
<b>Overall Length (No Ramps)</b>	<b>B 3877mm (152 5/8")</b>
<b>Overall Width</b>	<b>C 2409mm (94 7/8")</b>
<b>Width Between Posts</b>	<b>D 2167mm (85 3/8")</b>
<b>Max.Lifting Height</b>	<b>E 1872mm (73 3/4")</b>
<b>Overall Height</b>	<b>F 2105mm (82 7/8")</b>
<b>Minimum Height</b>	<b>G 135mm (5 3/8")</b>
<b>Max.Underneath Height</b>	<b>H 1772mm (69 3/4")</b>
<b>Drive-Thru Clearance</b>	<b>I 1956mm(77")</b>
<b>Width Between Runways</b>	<b>J 940mm (37")</b>
<b>Outside Edge of Runways</b>	<b>K 1890mm(74 3/8")</b>
<b>Gross Weight</b>	<b>654kg</b>
<b>Motor</b>	<b>1.5HP 110V /3.0HP 220V</b>
<b>QTY of Container</b>	<b>12Units/20'GP 36Units/40'GP</b>
<b>Packing Dimension</b>	<b>3811X 506 X 780mm</b>

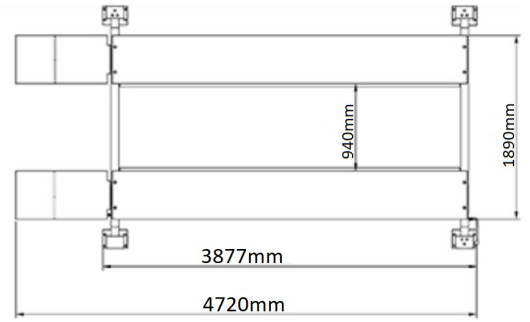
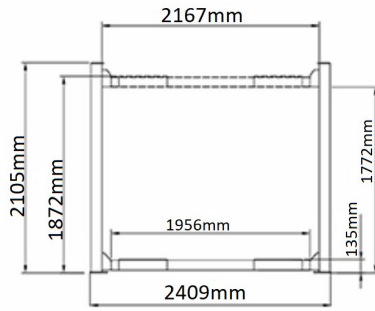
<b>Model 408-P</b>	<b>4-Post Parking Lift</b>
<b>Lifting Capacity</b>	<b>3500kg</b>
<b>Lifting Time</b>	<b>83s(110V)/38s(220V)</b>
<b>Overall Length (Inc Ramps)</b>	<b>A 5265mm (207 1/4")</b>
<b>Overall Length (No Ramps)</b>	<b>B 4415mm (173 7/8")</b>
<b>Overall Width</b>	<b>C 2684mm (105 5/8")</b>
<b>Width Between Posts</b>	<b>D 2438mm (96")</b>
<b>Max.Lifting Height</b>	<b>E 1872mm (73 3/4")</b>
<b>Overall Height</b>	<b>F 2105mm (82 7/8")</b>
<b>Minimum Height</b>	<b>G 155mm (6 1/8")</b>
<b>Max.Underneath Height</b>	<b>H 1752mm (69")</b>
<b>Drive-Thru Clearance</b>	<b>I 2074mm(81 5/8")</b>
<b>Width Between Runways</b>	<b>J 940mm (37")</b>
<b>Outside Edge of Runways</b>	<b>K 1890mm(74 3/8")</b>
<b>Gross Weight</b>	<b>747kg</b>
<b>Motor</b>	<b>1.5HP 110V/3.0HP 220V</b>
<b>QTY of Container</b>	<b>12 Units/20'GP 24Units/40'GP</b>
<b>Packing Dimension</b>	<b>4400 X 506 X 780mm</b>

<b>Model 408-HP</b>	<b>4-Post Parking Lift</b>
<b>Lifting Capacity</b>	<b>3500kg</b>
<b>Lifting Time</b>	<b>83s(110V)/38s(220V)</b>
<b>Overall Length (Inc Ramps)</b>	<b>A 5265mm (207 1/4")</b>
<b>Overall Length (No Ramps)</b>	<b>B 4415mm (173 7/8")</b>
<b>Overall Width</b>	<b>C 2684mm (105 5/8")</b>
<b>Width Between Posts</b>	<b>D 2438mm (96")</b>
<b>Max.Lifting Height</b>	<b>E 2227mm (87 3/4")</b>
<b>Overall Height</b>	<b>F 2455mm (96 5/8")</b>
<b>Minimum Height</b>	<b>G 155mm (6 1/8")</b>
<b>Max.Underneath Height</b>	<b>H 2107mm (83")</b>
<b>Drive-Thru Clearance</b>	<b>I 2074mm(81 5/8")</b>
<b>Width Between Runways</b>	<b>J 940mm (37")</b>
<b>Outside Edge of Runways</b>	<b>K 1890mm(74 3/8")</b>
<b>Gross Weight</b>	<b>773kg</b>
<b>Motor</b>	<b>1.5HP 110V/2.0HP 220V</b>
<b>QTY of Container</b>	<b>12Units/20'GP 24Units/40'GP</b>
<b>Packing Dimension</b>	<b>4400 X 540 X 750mm</b>

<b>Model 409-HP</b>	<b>4-Post Parking Lift</b>
<b>Lifting Capacity</b>	<b>4000kg</b>
<b>Lifting Time</b>	<b>122s(110V)/67s(220V)</b>
<b>Overall Length (Inc Ramps)</b>	<b>A 5965mm (234 7/8")</b>
<b>Overall Length (No Ramps)</b>	<b>B 5115mm (201 3/8")</b>
<b>Overall Width</b>	<b>C 3106mm (122 1/4")</b>
<b>Width Between Posts</b>	<b>D 2860mm (112 5/8")</b>
<b>Max.Lifting Height</b>	<b>E 2227mm (87 3/4")</b>
<b>Overall Height</b>	<b>F 2455mm (96 5/8")</b>
<b>Minimum Height</b>	<b>G 155mm (6 1/8")</b>
<b>Max.Underneath Height</b>	<b>H 2107mm (83")</b>
<b>Drive-Thru Clearance</b>	<b>I 2496mm (98 1/4")</b>
<b>Width Between Runways</b>	<b>J 1077mm (42 3/8")</b>
<b>Outside Edge of Runways</b>	<b>K 2093mm (82 3/8")</b>
<b>Gross Weight</b>	<b>904kg</b>
<b>Motor</b>	<b>1.5HP 110V/3.0HP 220V</b>
<b>QTY of Container</b>	<b>12Units/20'GP 24Units/40'GP</b>
<b>Packing Dimension</b>	<b>5100 X 560 X 770mm</b>

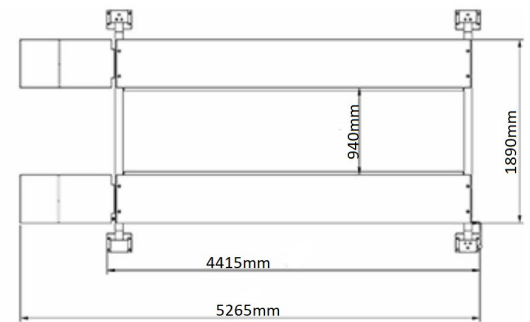
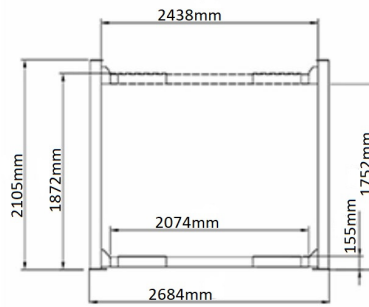
## Peak P-407P

### 3000kg Compact 4 Post Parking Lift



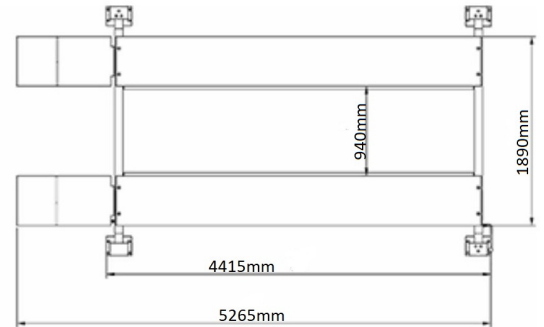
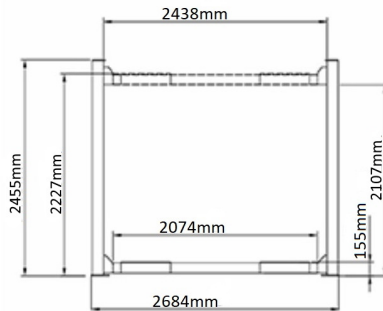
## Peak P-408P

### 3500kg 4 Post Parking Lift



## Peak P-408HP

### 3500kg High lift 4 Post Parking Lift



## Peak P-409HP

### 4000kg Large 4 Post Parking Lift

