



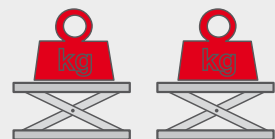
ERCO C510 B
ERCO C515 B

C-Line

Lifting equipment



3200 3600



Reversible low-profile electrohydraulic scissors lift
for cars, SUVs and vans



ERCO C510 B - ERCO C515 B

Reversible low-profile electrohydraulic scissors lift for cars, SUVs and vans; ideal for tyre specialists, car workshops, and body repairers. **Runway levelling guaranteed** by 2 sturdy anti-torsion connection bars.



- **Runways with suspended flaps** which also act as vehicle access ramps.



- Low voltage control unit with “dead-man” control system.

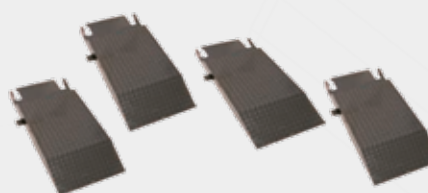
Available in on-floor and pit installation versions.

SUPPLIED ACCESSORIES

- Automatic engagement of mechanical safety locks with pneumatic release system.
- Anti-crushing foot guard.
- Set of 4 rubber pads.

OPTIONAL

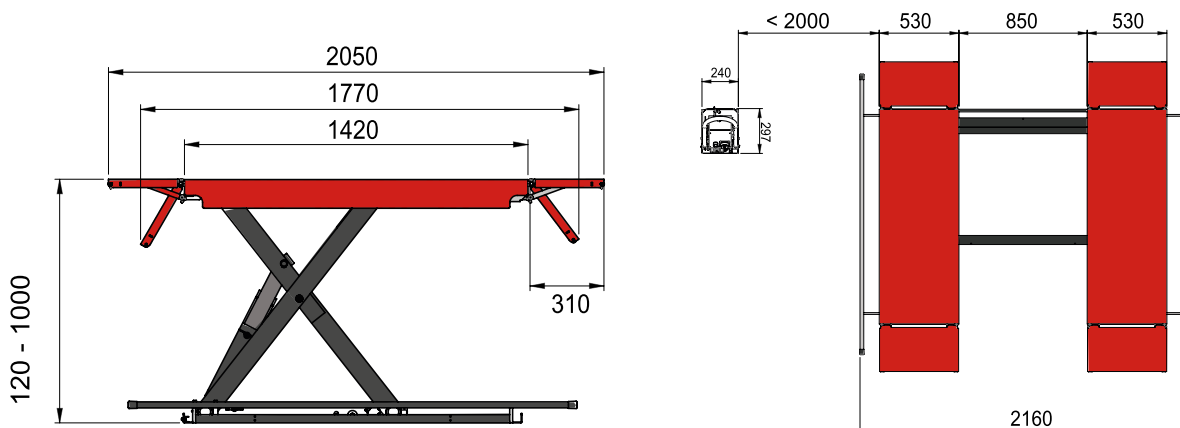
- Pair of cross pieces and pads for off-road vehicles
- Extension ramps set (4 pcs)



TECHNICAL DATA

Model	Lift capacity	Lifting time	Three phase motor	Single phase motor	Max. lifting height	Lift min. height
ERCO C510 B	3200 kg	25 s	230/400V - 3kW	230V - 3kW	1000 mm	120 mm
ERCO C515 B	3600 kg		3Ph - 50/60Hz	1Ph - 50/60Hz		

OVERALL DIMENSIONS



NEXION SPA - www.corghi.com - info@corghi.com



Designed in
ITALY

