



# AUTOMASTER

THE AUTO EQUIPMENT SPECIALISTS

## Automaster AM-7530

3000kg Mid-Rise Scissor Lift



# Automaster AM-7530

## 3000kg Mid-Rise Scissor Lift



**OUR VICE-GRIP GUARANTEE**

If you're not happy, we replace or refund in full.



Ramps lock up to extend the lifting platform

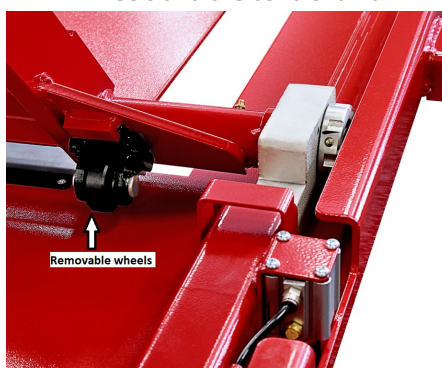
- **FEATURES**
- Great for tyre, suspension, & brake servicing
- Great work height for panel repairs
- Free standing portable scissor lift
- Red or Blue normally in stock
- For fast and safe lifting of vehicles
- Lock up ramps to extend length
- Pneumatic mechanical safety locking system
- Electro-hydraulic lifting system
- 4 x 40mm & 4 x 80mm Rubber lifting blocks included
- 10 Amp NZ Single phase plug
- Water trap & oiler supplied
- Oil hose covers supplied
- Top quality motor & pump unit
- Optional Van lifting kit
- Optional Low car ramp extension kit
- European CE Safety Certified
- Full 2 year warranty

### SPECIFICATIONS

Capacity	3000KG
Max lift height	1000mm
Min Height	110mm
Lifting Time (approx)	45 Sec
Lowering time (approx)	35sec
Runway length (lock up ramps)	1460/1990mm
Runway width	490mm
Weight	400kg
Power supply	230V 1PH



Lift is mobile by inserting the supplied wheels and the control unit



Low minim height of only 110mm  
Supplied with 4 x 40mm & 4 x 80mm  
lifting blocks



Multiple safety lock points on each side



Mobile control unit , push button  
control for lifting and lowering



# Automaster AM-7530

## 3000kg Mid-Rise Scissor Lift



**OUR VICE-GRIP GUARANTEE**

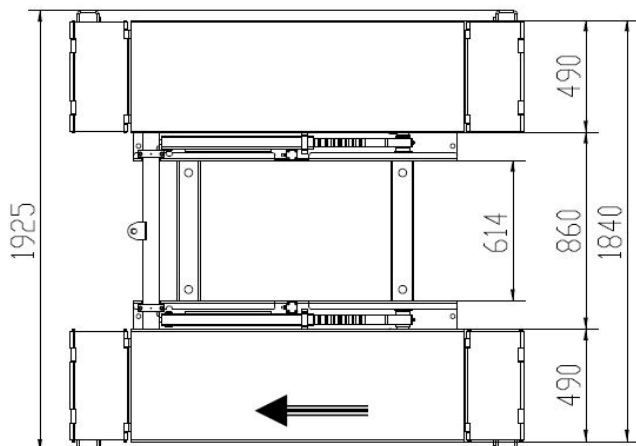
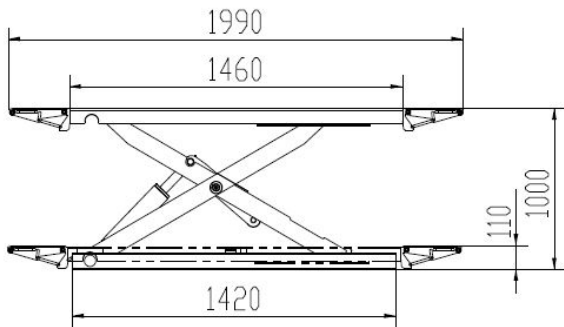
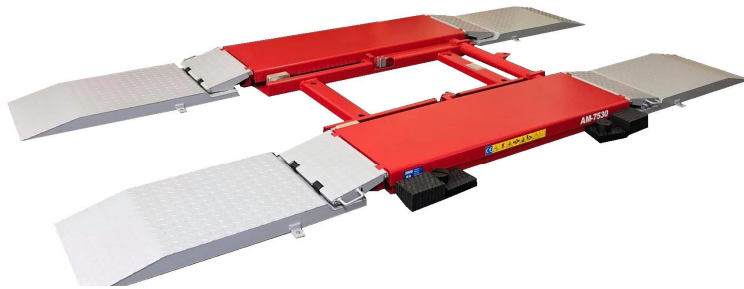
If you're not happy, we replace or refund in full.



Available in Red/Grey or Blue /Grey colour options



Optional low vehicle ramp kit



Optional Van Lifting kit