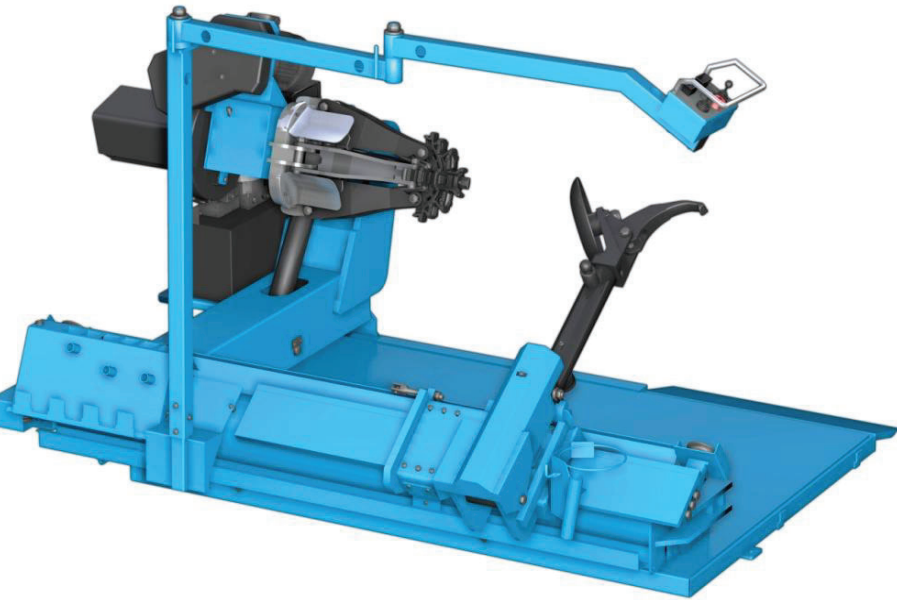


HEAVY DUTY TRUCK TIRE CHANGER MODEL: AM-356

Heavy-duty tire changer suitable for any truck and heavy-duty wheel up to 58" rim, diameter 2600mm and width 1500mm.

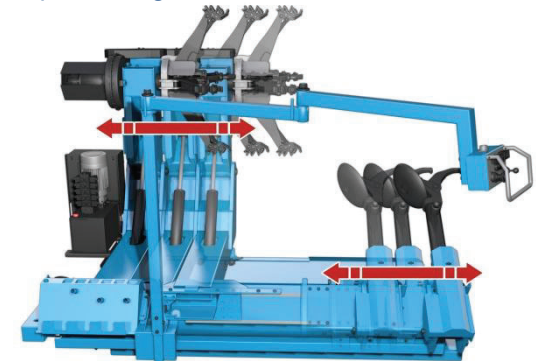


FEATURES

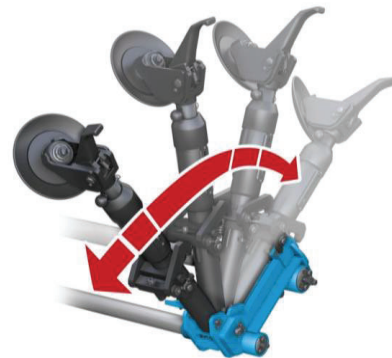
- Two chuck rotation speeds
- Two independent trolleys with simultaneous movement at two speeds
- Automatic tool rotation and arm positioning
- Wireless control as option



Automatic tool rotation



Simultaneous movement



Automatic arm positioning

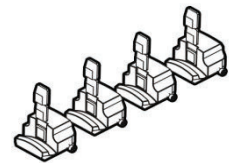


Wireless control unit

OPTIONAL ACCESSORY



58" extension kit



Alloy rim protection

SPECIFICATION

STD-356

Clamping capacity	14" – 47" or 58" with extensions
Max. tire weight	1700 kg
Max. tire diameter	2600 mm or 103"
Max. tire width	1500 mm or 59"
Hydraulic power unit motor	4.0kW
2-speed gear motor	2.6kW/3.2kW, 5-10 rpm
Max. torque	3550 Nm
Bead breaking force	3500 kg
Max. operation pressure	130 bar
Packing weight	1600 kg
Packing dimension	2700 x 1800 x 1000 mm