

AUTOMASTER AM-8250TXD-R Alignment Scissor Lift

- Maximum capacity of 5000kg
- Suitable for 4x4's, vans, low cars, American cars, utes etc.
- 2 x rolling centre jacking beams
- Full floating rear slip plates
- Wide and long to cover large and small vehicles
- Can be used with standard CCD or 3D alignment systems
- Total length 5826mm
- Normally available in red or blue
- Space saving design
- Can be surface or flush mounted
- Remote controlled operation
- European CE Safety Certified

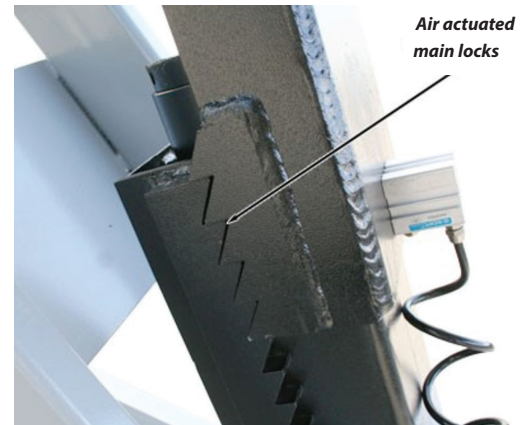
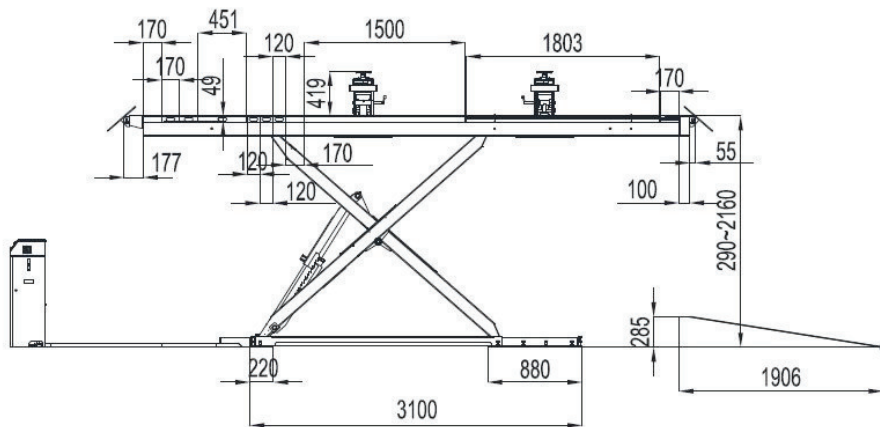


Turntables can be placed in three different positions

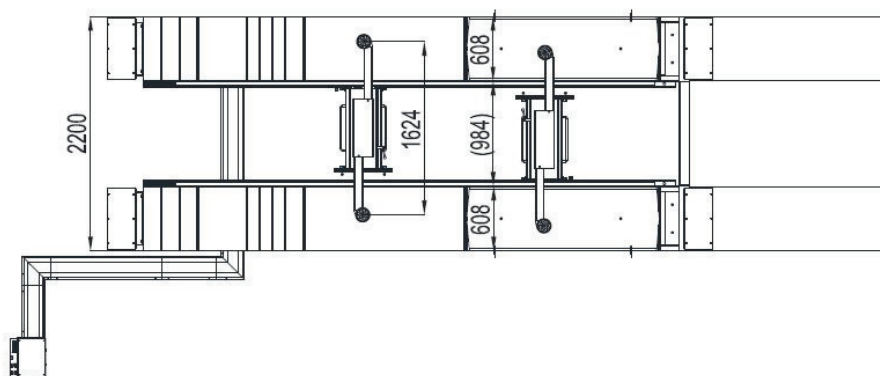
SPECIFICATIONS	
Capacity	5000kg
Max height	2160mm
Min height	290mm
Lifting time	45sec
Runway length	5000mm
Power supply	220V or 380v/3ph
Warranty	2 years



Rear Support Bar



Air actuated main locks



THE CONCRETE MUST:

- Have a minimum thickness of 150mm
- Be reinforced
- Be a grade of no less than 25MPA