

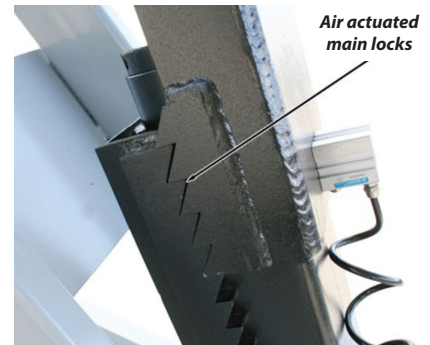
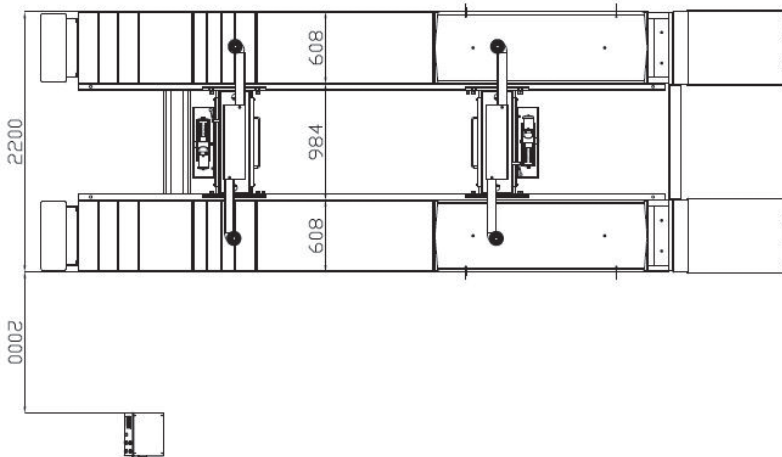
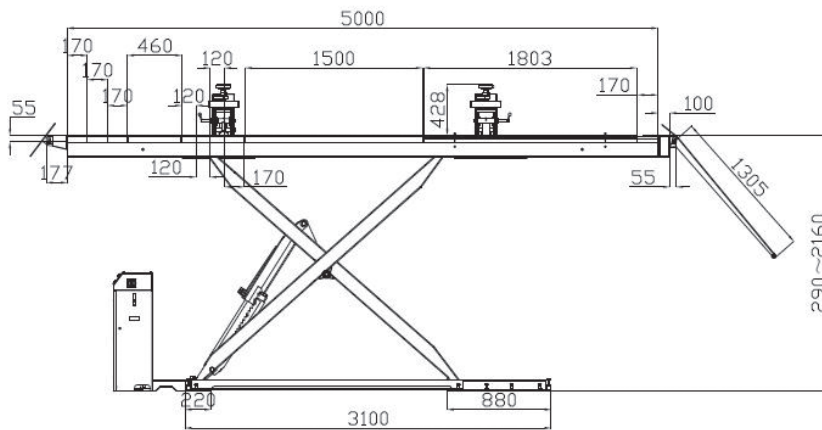
## AUTOMASTER AM-8250TXD-R Alignment Scissor Lift

- Maximum capacity of 5000kg
- Suitable for 4x4's, vans, low cars, American cars, utes etc.
- 2 x rolling centre jacking beams
- Full floating rear slip plates
- Wide and long to cover large and small vehicles
- Can be used with standard CCD or 3D alignment systems
- Total length 5826mm
- Normally available in red or blue
- Space saving design
- Can be surface or flush mounted
- Remote controlled operation
- European CE Safety Certified



**INDENT ORDER  
REQUIRED  
RED OR BLUE  
OPTIONS**

SPECIFICATIONS	
Capacity	5000kg
Max height	2160mm
Min height	290mm
Lifting time	45sec
Runway length	5000mm
Power supply	220V or 380v/3ph
Warranty	2 years



**THE CONCRETE MUST:**

- Have a minimum thickness of 150mm
- Be reinforced
- Be a grade of no less than 25MPA